



# TEL3LGW & TEL5LGW Series

## Wall-Mount Gooseneck EcoPower® Faucet

### FEATURES

- Hydropower self-generating system
- Sensor faucet with aerated flow
- Self adjusting faucet with control box and mounting hardware, less supply lines
- 1/2" water supply male threaded

### MODELS

- TEL3LGW10#CP - Single Supply  
Discharge: On-demand; Up to 10 seconds while activated.
- TEL5LGW10#CP - Thermal Mixing  
Discharge: On-demand; Up to 10 seconds while activated.  
Controller/Mixer #: TN78-10V710

### COLORS/FINISHES

- #CP Polished Chrome

### CODES/STANDARDS

- Exceeds mandatory baseline, 0.20 gallon/cycle, of California Green Building Code, CALGreen
- Meets or exceeds ASME A112.18.1/CSA B125.1 and ASSE 1070\*
- Certifications: IAPMO(cUPC), ASSE, State of Massachusetts, and others
- Code Compliance: UPC, IPC, NSPC, NPC Canada, and others
- Legislative compliance: California Green Code and City of Los Angeles Water Efficiency Ordinance
- ADA compliant



\*Note: ASSE 1070 supersedes ASSE1016 for non-shower point of use devices. Applies to TEL5 series models.



### PRODUCT SPECIFICATION

TOTO Model # \_\_\_\_\_ Automatic infrared sensor activated faucet. Anti-scald, thermal mixing chamber (thermal faucets only). Automatic sensor adjustment on installation. Maximum discharge 0.09 gallons per 10 second cycle. Electrical components separated from spout assembly and sealed in waterproof compartments. All TEL5 series use an ASSE 1070 listed controller module with mixing valve. Both faucets use 0.09 gallon/cycle which is 55% below CALGreen's baseline.

# TEL3LGW & TEL5LGW Series

## Wall-Mount Gooseneck EcoPower® Faucet

### SPECIFICATIONS

- **Warranty** Three year warranty
- **Material** Brass
- **Power Supply** Hydropower self-generating system
- **Hot/Cold-water Supply** Minimum required water pressure: 20PSI  
Maximum water pressure: 125PSI\*
- **Water Supply Connect** 1/2" NPSM
- **Water Consumption** 0.09 gallons per cycle (max) / 0.5 gallons per minute
- **Water Saving Function** Automatically turns OFF when user removes hands  
Maximum continuous run time is 10 seconds
- **Detection time** ON feature: Immediate  
OFF feature: 1 second delay
- **Detection range** Factory set at 2-1/4"  
Faucet automatically sets the detection range according to the size of the basin
- **Discharge water temperature control range** Thermal Mixing Faucet:  
Cold water - 104°F (Max)  
(When used under standard conditions)
- **Anti-scald safety feature** Provides the user protection against exposure to excessive water temperature (Thermal mixing faucet, only)

### NOTE

Following the Federal mandate for water efficiency outlined in the Environmental Protection Act of 1992, Faucets can be rated for water consumption based on two categories: flow rate and water consumption.

With the "Water Consumption" standard, a faucet must not use more than 0.25 gallons of water per cycle. The TOTO® faucet with a 10 second cycle uses 0.09 gallons of water, or 0.5 gallons per minute. This is a 64% below the base line of 0.25 gallons per cycle.

Furthermore, an innovative design feature incorporated into all TOTO electronic faucets is an "ON-DEMAND" mode. This means that the faucet will only deliver water as needed and will not run the entire duration of its rated cycle - either 10 or 60 seconds. This guarantees additional water savings.

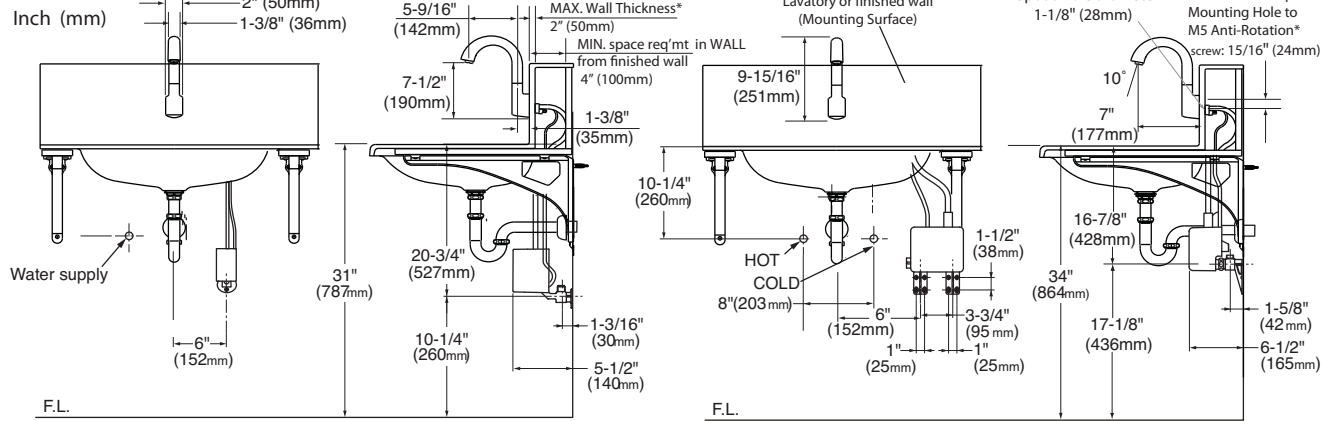
TOTO uses water consumption because it is the most accurate method of measuring water use. This method of measurement can be incorporated into water usage calculations for various efficiency programs. For more information, please consult [www.totousa.com](http://www.totousa.com).

\*Water pressures over 80 psi are not recommended for most plumbing fixtures.

- Not recommended for 2 x 4 wall installation.
- Access to back side of mounting surface is required for installation of spout mounting bracket.
- Drilling is required for anti-rotation screw installation.
- Plywood reinforcement is recommended for Drywall installation.

Dimensions:

Inch (mm)



Single Supply

Thermal Mixing

\*Spout has the anti-rotation feature with M5 set screw on Mounting Bracket and is good for Stainless Steel sinks installation.

\*\*Spout Hole Diameter MAX. 1-1/2" (38mm) for Stainless Steel Sinks

**TOTO**

These dimensions and specifications are subject to change without notice