

Discontinued Product Notice MS884114 (Carolina) and CST764SG (Vespin)

As our product line evolves, our driving motivation is to offer the highest value products which match our commitment to sustainability. Therefore TOTO is discontinuing the **MS884114**, Carolina and the **CST764SG**, Vespin models. We are also offering the best alternative with more features for your customers. **MS664114CEF/G**, Carolina II and **CST474CEF/G**, Vespin II are a better value with both a stronger flushing performance and with SanaGloss® as a standard offering.



Product No.	List Price	Description
MS884114#01	\$ 891.00	Low profile 1-pc skirted toilet 1.6gpf Power Gravity flushing system Concealed trapway 12" Unifit rough-in
MS884114#11	\$ 891.00	
MS884114#03	\$ 1,024.00	
MS884114#12	\$ 1,024.00	
MS884114#51	\$ 1,337.00	



Product No.	List Price	Description
MS644114CEFG#01	\$ 900.00	Low profile 1-pc skirted toilet 1.28 gpf Double-Cyclone flushing system SanaGloss glaze & Universal Height 12" Unifit rough-in
MS644114CEFG#11	\$ 900.00	
MS644114CEFG#03	\$ 1,035.00	
MS644114CEFG#12	\$ 1,035.00	
MS644114CEF#51	\$ 1,350.00	



Kit Item #	Component		List Price	Description
	Bowl	Tank		
CST764SG#01	CT764SG#01	ST707S#01	\$ 598.00	2-pc toilet w/ high-profile tank 1.6 gpf G-Max flushing system SanaGloss glaze 12" Unifit rough-in
CST764SG#11	CT764SG#11	ST707S#11	\$ 598.00	
CST764SG#03	CT764SG#03	ST707S#03	\$ 688.00	
CST764SG#12	CT764SG#12	ST707S#12	\$ 688.00	
CST764S#51	CT764S#51	ST707S#51	\$ 831.00	



Kit item #	Component		List Price	Description
	Bowl	Tank		
CST474CEFG#01	CT474CEFG#01	ST454E#01	\$ 580.00	2-pc toilet w/ high-profile tank 1.28 gpf Double-Cyclone flushing system SanaGloss glaze & Universal Height 12" Unifit rough-in
CST474CEFG#11	CT474CEFG#11	ST454E#11	\$ 580.00	
CST474CEFG#03	CT474CEFG#03	ST454E#03	\$ 667.00	
CST474CEFG#12	CT474CEFG#12	ST454E#12	\$ 667.00	
CST474CEF#51	CT474CEF#51	ST454E#51	\$ 870.00	

TOTO USA
Sales Planning Department

TOTO USA, INC.
1155 Southern Road
Morrow, GA 30260
888-295-8134
www.totousa.com
© 2010 TOTO U.S.A.

TOTO®

MS644114CEF(G)

Carolina® II One-Piece High-Efficiency Toilet, 1.28GPF

FEATURES

- Double Cyclone® flushing system, low consumption (1.28GPF/4.8LPF)
- Skirted design
- SanaGloss® ceramic glaze - prevents debris and mold from sticking to ceramic surfaces, leading to fewer chemicals and less water in cleaning (not avail on Ebony #51)
- Universal Height
- Decorative one-piece design with low-profile tank
- Elongated front bowl with SoftClose® seat (SS114)
- 12" Unifit rough-in
- Chrome trip lever

MODELS

- MS644114CEFG
With SanaGloss ceramic glaze, SS114 SoftClose seat included
- MS644114CEF
Less SanaGloss, SS114 SoftClose seat included (#51 only)

COLORS/FINISHES

- #01 Cotton
- #03 Bone
- #11 Colonial White
- #12 Sedona Beige
- #51 Ebony (not available in SanaGloss)

OPTIONAL ROUGH-IN

- 10" rough-in TSU1W.10
- 14" rough-in TSU1W.14

PRODUCT SPECIFICATION

The one-piece high-efficiency double cyclone flushing system toilet shall be 1.28GPF/4.8LPF. Toilet shall have optional SanaGloss ceramic glaze and be at Universal Height. Toilet shall have low-profile tank, elongated front bowl with SoftClose seat and Chrome trip lever. Toilet shall be TOTO Model MS644114CEF _____.



SanaGloss

CYCLONE®
FLUSHING SYSTEM BY TOTO

CODES/STANDARDS

- Meets and exceeds ASME A112.19.2/CSA B45.1
- Certifications: IAPMO(cUPC), EPA Watersense, State of Massachusetts, City of Los Angeles, and others
- Code compliance: UPC, IPC, NSPC, NPC Canada, and others
- Legislative Compliance: California AB715, California Green Building Code, City of Los Angeles Water Efficiency Ordinance
- ADA compliant (when installed with trip lever located on the approach side)



MS644114CEF(G)

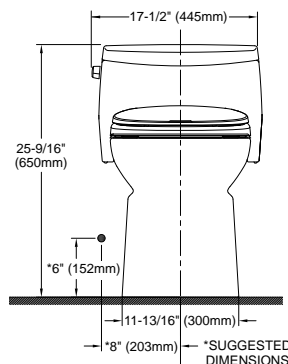
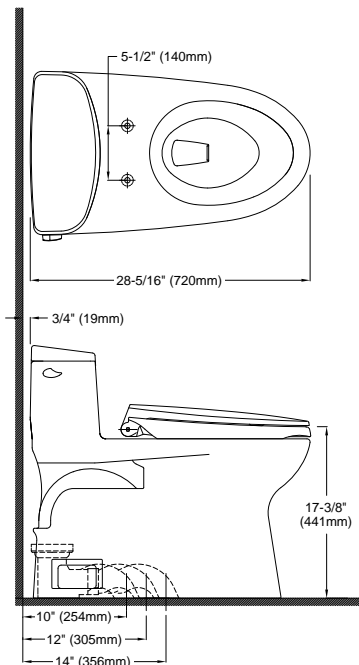
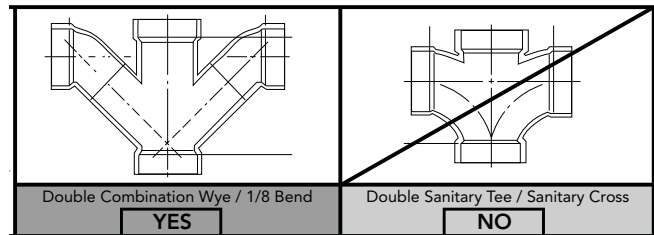
Carolina® II One-Piece High-Efficiency Toilet, 1.28GPF

SPECIFICATIONS

- Water Use 1.28 GPF/4.8LPF
- Flush System Double Cyclone
- Min. Water Pressure 8 psi (flowing)
- Water Surface 6-7/8" x 9-3/4"
- Trap Diameter 2-1/8"
- Rough-in 12"
- Trap Seal 2-1/8"
- Warranty One Year Limited Warranty
- Material Vitreous china
- Shipping Weight 108 lbs.
- Shipping Dimensions 29-1/2" L x 18" W x 19-1/4" H¹ x 27-1/8" H²

INSTALLATION NOTES

Back-to-Back Toilet Installations:
 TOTO recommends the use of a nationally listed, double sanitary tee-wye only, in vertical waste stacks, in accordance with the stipulations noted in the majority of nationally recognized plumbing codes.



These dimensions and specifications are subject to change without notice

TOTO®

CST474CEF(G)

Vespin® II Close Coupled High-Efficiency Toilet, 1.28GPF

FEATURES

- Double Cyclone® flushing system, low consumption (1.28GPF/4.8LPF)
- Skirted design
- SanaGloss® ceramic glaze - prevents debris and mold from sticking to ceramic surfaces, leading to fewer chemicals and less water in cleaning (not avail on Ebony #51)
- Universal Height
- Decorative two-piece design with high-profile tank
- Elongated front bowl and tank set, less seat
- Chrome trip lever
- 12" Uni-Fit® Rough-in (included), less supply

MODELS

- CST474CEFG
With SanaGloss ceramic glaze
- CST474CEF
Less SanaGloss ceramic glaze (#51 only)

COMPONENTS

- C474CEFG Elongated bowl with SanaGloss
- C474CEF Elongated bowl
- ST454E Tank and cover only
- SS224 SoftClose® seat (sold separately)
- SS214 SoftClose® seat (sold separately)
- SS204 SoftClose® seat (sold separately)
- SS164 SoftClose® seat (sold separately)
- SS154 SoftClose® seat (sold separately)
- TSU1W.10 10" rough-in (sold separately)
- TSU1W.14 14" rough-in (sold separately)

COLORS/FINISHES

- #01 Cotton
- #03 Bone
- #11 Colonial White
- #12 Sedona Beige
- #51 Ebony (not available in SanaGloss)

PRODUCT SPECIFICATION

The Two-piece high-efficiency Double Cyclone flushing system toilet shall be 1.28GPF/4.8LPF. Toilet shall have optional SanaGloss ceramic glaze and be at Universal Height. Toilet shall have high-profile tank, elongated front bowl and Chrome trip lever. Toilet shall be TOTO Model CST474CEF_____.



SanaGloss

CYCLONE®
FLUSHING SYSTEM BY TOTO

CODES/STANDARDS

- Meets or exceeds ASME A112.19.2/CSA B45.1
- Certifications: IAPMO(cUPC), EPA Watersense, State of Massachusetts, City of Los Angeles, and others
- Code compliance: UPC, IPC, NSPC, NPC Canada, and others
- Legislative Compliance: California AB715, California Green Building Code, City of Los Angeles Water Efficiency Ordinance
- ADA compliant (when installed with trip lever located on the approach side)



CST474CEF(G)

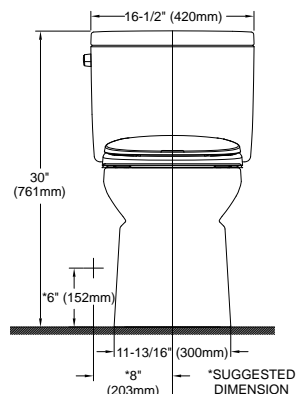
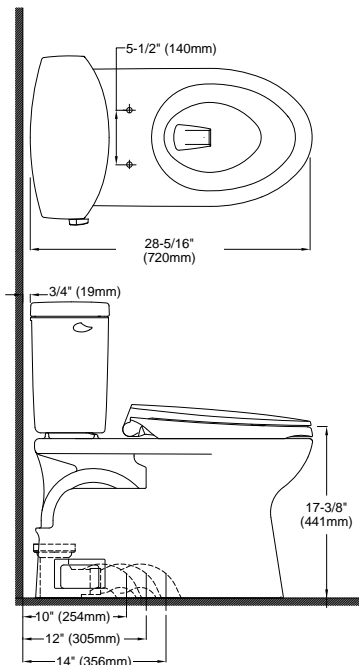
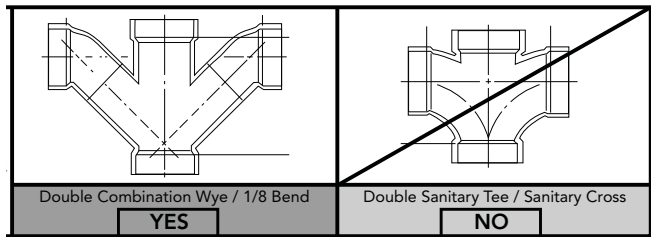
Vespin® II Close Coupled High-Efficiency Toilet, 1.28GPF

SPECIFICATIONS

- Water Use 1.28 GPF/4.8LPF
 - Flush System Double Cyclone
 - Min. Water Pressure 8 psi (flowing)
 - Water Surface 6-7/8" x 9-3/4"
 - Trap Diameter 2-1/8"
 - Rough-in 12"
 - Trap Seal 2-1/8"
 - Warranty One Year Limited Warranty
 - Material Vitreous china
 - Shipping Weight C474CEF(G) 75lbs.
ST454E 31.5lbs.
 - Shipping Dimensions C474CEF(G)
30-1/8" L x 16-3/4" W x 22" H
- ST454E
18" L X 9" W X 16" H

INSTALLATION NOTES

Back-to-Back Toilet Installations:
TOTO recommends the use of a nationally listed, double sanitary tee-wye only, in vertical waste stacks, in accordance with the stipulations noted in the majority of nationally recognized plumbing codes.



These dimensions and specifications are subject to change without notice