

 **GEBERIT**

The First Concealed Tank and  
Carrier That Fits in a 2x4 Wall



# Versatile. Durable. Thin.



Introducing the first tank and carrier system designed to fit a standard 2x4 wall.



Geberit, the world's leading manufacturer of in-wall tank and carrier systems, brings you our latest innovation: a tank and carrier specifically designed to fit inside a standard 2x4 wall. This new system features the same durable construction, easy setup, and carefree maintenance of our other carriers, making it perfect for either new construction or renovation. All this, combined with a new, low profile, offers these benefits:

### A common platform and shared components

If you're familiar with the Geberit tank and carrier system, you'll recognize our new carrier as just another member of the family. It uses the same robust frame, common components, and familiar accessories as our other carriers. It's even compatible with the same toilet bowls currently installed on Geberit carriers in thousands of applications, including a wide variety of WaterSense® HET certified water-saving models.

### Easy installation for renovation or new construction

If you're new to in-wall systems, you'll be amazed at how easily this new carrier installs in almost any application. The thin profile not only saves space in the bathroom: it allows the carrier to fit inside a standard 2x4 wall, making it easier than ever to add a wall-hung toilet to your next bathroom renovation. You can even add a washlet seat with the included hook-up.

### Safe, sturdy, and reliable

Geberit has perfected the design of our tank and carrier system through decades of manufacturing products for plumbing markets worldwide. Every one-piece tank is tested and guaranteed leak-proof. Our frame is guaranteed to withstand up to 880 lbs. of force without wall damage. And while the entire unit is virtually maintenance-free, all the working parts are accessible through the actuator plate, without the use of any tools.

Ask your Geberit Sales Representative how you can experience the benefits of the new Geberit 2x4 tank and carrier system for yourself.



### Features

- Water saving dual-flush 1.6/0.8 GPF (6/3 LPF) toilet tank preinstalled
- Adjustable seat height from 15" to 19"
- Compatible with 40+ toilet bowls, including many WaterSense® HET models
- Supports up to 880 lbs (400 kg)
- Compatible with Bolero, Mambo, Samba, Sigma20, Sigma50, and Tango actuator plates

### Choose the Right Carrier For Your Application:

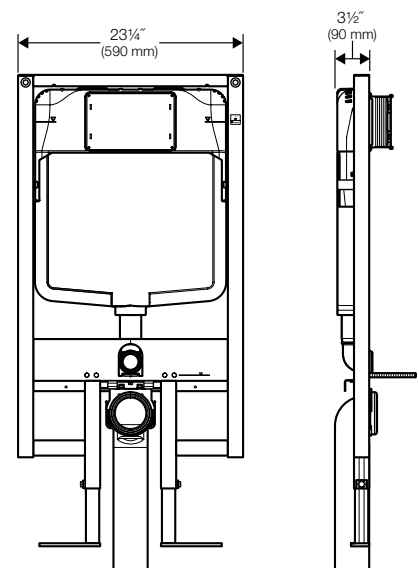
| Wall Construction    | 2x4 (51 mm x 102 mm) min. stud wall | 2x6 (51 mm x 152 mm) min. stud wall |
|----------------------|-------------------------------------|-------------------------------------|
| Model No.            | 111.728.00.1                        | 111.335.00.5                        |
| List Price (USD)     | \$500.00*                           | \$465.00                            |
| Frame/tank thickness | 3½" (90 mm)                         | 5½" (140 mm)                        |
| Frame width          | 23¼" (590 mm)                       | 19¼" (500 mm)                       |
| Flush volume         | 1.6/0.8 GPF (6/3 LPF)               |                                     |
| Weight capacity      | 880 lbs (400 kg)                    |                                     |
| Seat height          | 15"-19" adjustable                  |                                     |

\*Introductory price, valid through 12/31/2010



Listed by IAPMO

### Dimensions



Geberit  
2100 S. Clearwater Drive  
Des Plaines, IL 60018  
800/566-2100  
Fax 847/803-5454  
www.geberit.us

GNA7107 09/10